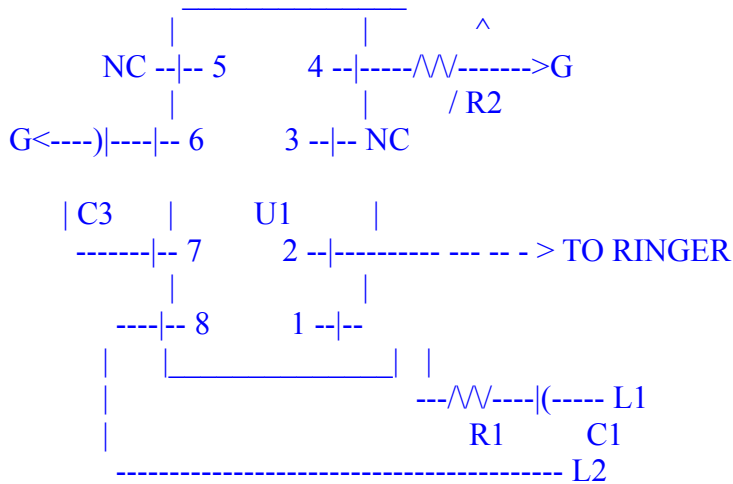


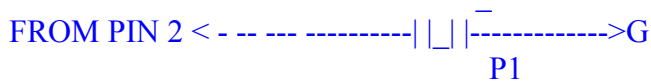
(>.....<)
 (> Olive Box Plans <)
 (> <)
 (>.....<)

This is a relatively new box, and all it basically does is serve as a phone ringer. You have two choices for ringers, a piezoelectric transducer (ringer), or a standard 8 ohm speaker. The speaker has a more pleasant tone to it, but either will do fine. This circuit can also be used in conjunction with a rust box to control an external something or other when the phone rings. Just connect the 8 ohm speaker output to the inputs on the rust box, and control the pot to tune it to light the light (which can be replaced by a relay for external controlling) when the phone rings.



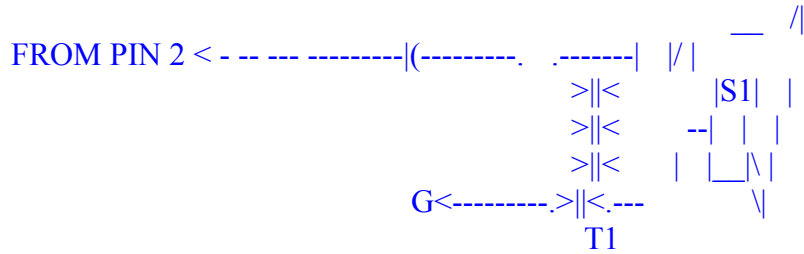
a. Main ringer TTL circuit

(>.....<)



b. Peizoelectric transducer

(>.....<)



c. Electro magnetic transducer

Parts List

- U1 - Texas Instruments TCM1506
 - T1 - 4000:8 ohm audio transformer
 - S1 - 8 ohm speaker
 - R1 - 2.2k resistor
 - R2 - External variable resistor; adjusts timing frequency
 - C1 - .47uF capacitor
 - C2 - .1uF capacitor
 - C3 - 10uF capacitor
 - L1 - Tip
 - L2 - Ring
- L1 and L2 are the phone line.

Shift Rate:

This is the formula for determining the shift rate:

$$SR = \frac{1}{(DSR(1/f1) + DSR(1/f2))} = \frac{1}{\frac{128}{1714} + \frac{128}{1500}} = 6.25 \text{ Hz}$$

- DSR = Shift Divider Rate ratio = 128
- f1 = High Output Frequency = 1714
- f2 = Low Output Frequency = 1500

(>.....r:2.....:<)<
 (> Another fine box plan by: <)<
 (> <)<
 (> ARNOLD! <)<
 (> <)<

(> Sysop: HHA E East <)
(>.....<)
(> Hobbit Hole Network: <)
(> <)
(> Hobbit Hole AE Line Network HQ (609)-429-3641 <)
(> 3 drives... No password... 300b only <)
(> <)
(> Hobbit Hole AE Line North Branch ... (215)-271-0778 <)
(> x drives... No password... 300/1200b <)
(> <)
(> Hobbit Hole AE Line East Branch (201)-271-0256 <)
(> 4 drives... No password... 300b, 1200 AFTER logon <)
(> <)
(> Sirius Cybernetics 60 Megs (808)-528-2436 <)
(> one of the largest phreak boards in the country! <)
(> <)
(>.....<)

DOWNLOADED FROM P-80 SYSTEMS.....